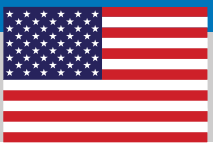


Mining Chains & Sprockets

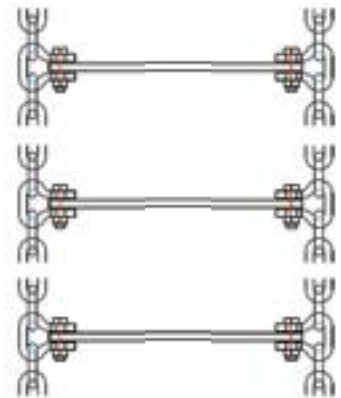
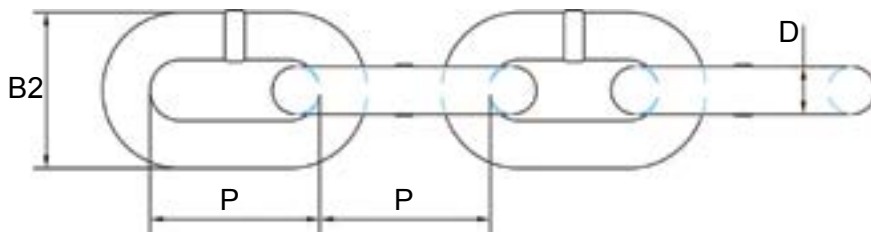


ROUND LINK CHAINS & SPROCKETS

Cobalt Chains round link steel chains have become a proven standard in aggressive mining, ash handling, cement production, and other heavy-duty applications due to their high strength and flexibility in operation. They are built to meet or exceed standards for dimensional consistency, interchangeability, and correct sprocket engagement, commonly with the DIN 22252 & DIN 764 specifications. We also offer a range of quality accessories such as forged master links, attachment shackles, mounting hardware, and complete sprocket solutions.



- Round Link Chain is through hardened from stock, case hardened can be ordered
- Single style forged sprocket teeth are made to order
- 2, 3 or 4 piece split sprockets are available



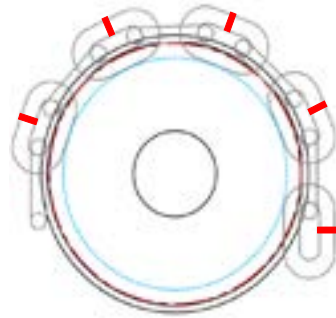
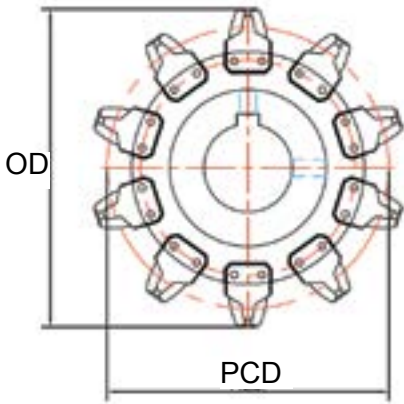
Typical Chain Layout

*During installation, orient the link welds so that they are to the outside of the sprocket/idler. Additionally, on double chains, orient the link welds towards the outside/conveyor walls.

Round Link Chains											
Chain	P		D		B2		Hardness		Minimum UTS		Weight
	mm	in	mm	in	mm	in	RC	BHN	kN	lbs	lbs/ft
CR11x38	38.00	1.49	11.00	0.43	35.00	1.37	40.00	375.00	172.00	38,000	2.00
CR14X50	50.00	1.97	14.00	0.55	46.00	1.81	40.00	375.00	250.00	55,000	2.70
CR18x64	64.00	2.52	18.00	0.71	60.00	2.36	40.00	375.00	410.00	90,000	4.50
CR22x86	86.00	3.39	22.00	0.87	74.00	2.91	40.00	375.00	610.00	135,000	6.40
CR26x92	92.00	3.62	26.00	1.02	85.00	3.35	40.00	375.00	850.00	191,000	9.21
CR26x100	100.00	3.94	26.00	1.02	87.00	3.42	40.00	375.00	1130.00	249,000	14.50
CR30x108	108.00	4.25	30.00	1.18	97.00	3.81	40.00	375.00	1220.00	270,000	19.60
CR34x126	126.00	4.96	34.00	1.39	109.00	4.29	40.00	375.00	1560.00	344,000	24.80
*Dimensions +/- 1mm										Other Chains Available	
Case Hardened chains are available to order - note that the Minimum UTS for case hardened chain will be significantly less than is stated above											



ROUND LINK CHAINS & SPROCKETS



*Smooth Idler
** Note link weld orientation



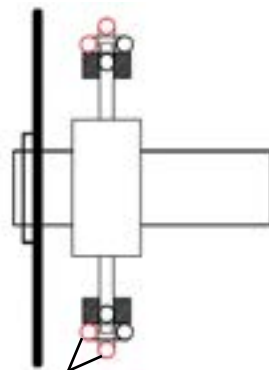
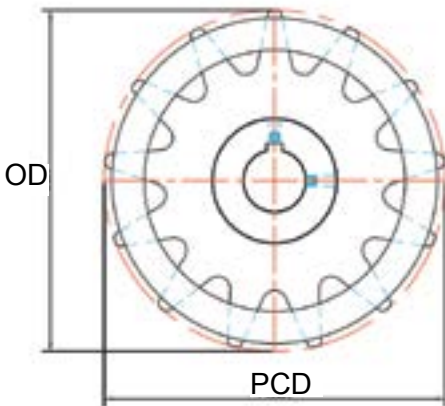
8-Tooth Round Link Chain Sprocket

Sprockets

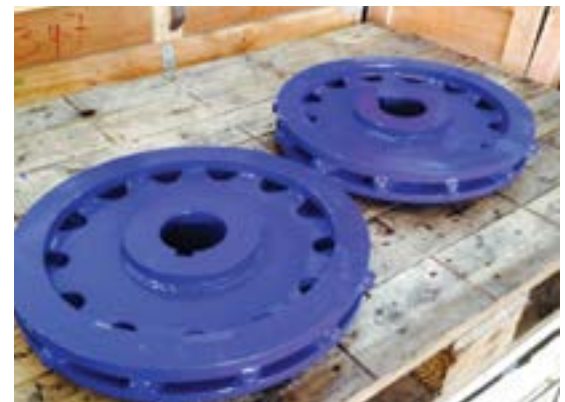
Size	6T				8T				10T				13T			
	PCD		OD		PCD		OD		PCD		OD		PCD		OD	
	mm	in	mm	in	mm	in	mm	in	mm	in	mm	in	mm	in	mm	in
14x50	194.00	7.64	232.00	9.13	256.00	10.08	293.00	11.54	319.00	12.56	357.00	14.06	415.00	16.34	453.00	17.83
18x64	247.00	9.72	298.00	11.73	328.00	12.91	381.00	15.00	409.00	16.10	460.00	18.11	531.00	20.91	583.00	22.95
22x86	335.00	13.19	420.00	16.54	442.00	17.40	526.00	20.71	550.00	21.65	634.00	24.96	-	-	-	-
26x92	354.00	13.94	434.00	17.09	471.00	18.54	551.00	21.69	588.00	23.15	668.00	26.30	-	-	-	-
30x108	416.00	16.34	517.00	20.35	554.00	21.81	655.00	25.79	759.00	29.88	860.00	33.86	-	-	-	-

Other sizes available

*Smooth Idlers made to order



Link welds to outside of conveyor

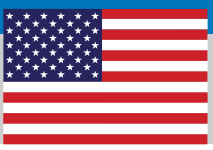


13-Tooth Self-Cleaning Round Link Sprockets

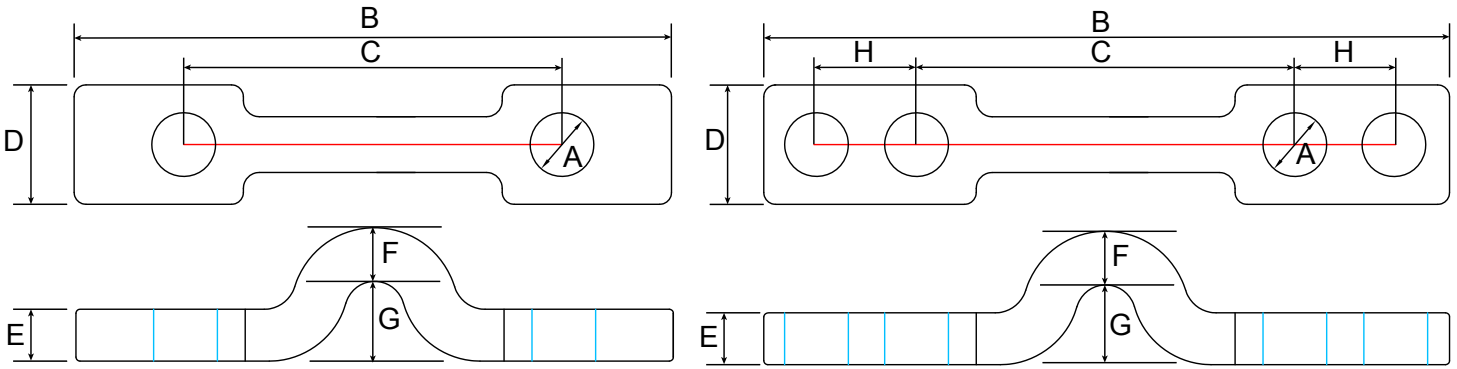
Self Cleaning Sprockets

Size	6T				8T				10T				13T			
	PCD		OD		PCD		OD		PCD		OD		PCD		OD	
	mm	in	mm	in	mm	in	mm	in	mm	in	mm	in	mm	in	mm	in
14x50	194.00	7.64	218.00	8.58	256.00	10.08	279.00	10.98	319.00	12.56	305.00	12.00	415.00	16.34	439.00	17.28
18x64	247.00	9.72	280.00	11.02	328.00	12.91	363.00	14.29	409.00	16.10	442.00	17.40	531.00	20.91	565.00	22.24
22x86	335.00	13.19	398.00	15.67	442.00	17.40	504.00	19.84	550.00	21.65	612.00	24.09	-	-	-	-
26x92	354.00	13.94	408.00	16.06	471.00	18.54	525.00	20.67	588.00	23.15	642.00	25.28	-	-	-	-
30x108	416.00	16.34	487.00	19.17	554.00	21.81	625.00	24.61	759.00	29.88	830.00	32.68	-	-	-	-

*All dimensions or values of any type in this catalog are subject to change without notice

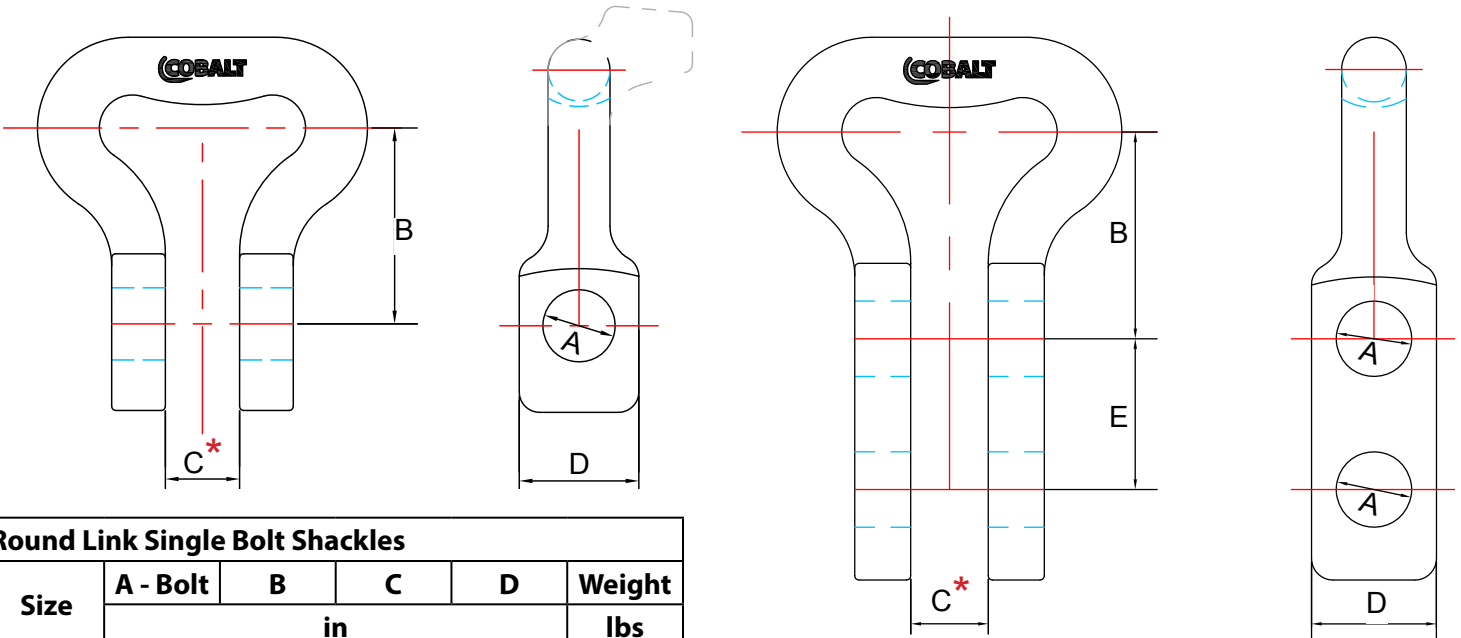


ROUND LINK CHAINS & SPROCKETS



Round Link Half Shackles

Size	Bolts	D	C	B	A-Bolt	G	E	F	H	Weight lbs
		in								
14x50	2	1.19	3.74	5.88	0.63	0.76	0.50	0.56	-	0.60
18x64	2	1.41	4.44	6.88	0.63	1.00	0.72	0.72	-	1.98
18x64	4	1.41	4.44	9.44	0.63	1.00	0.72	0.72	1.62	2.00



Round Link Single Bolt Shackles

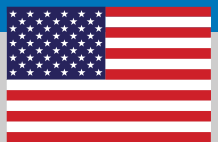
Size	A - Bolt	B	C	D	Weight lbs
	in				
14x50	0.63	1.88	0.68	1.15	0.80
18x64	0.63	2.00	0.88	1.50	1.60
18x64	0.75	2.20	0.88	1.50	1.60
22x86	1.00	2.95	1.22	2.00	3.60
26x92	1.00	3.50	1.12	2.25	5.51
30x108	1.18	3.78	1.34	2.52	7.72
34x126	1.42	4.33	1.38	2.56	10.57

"Padded" connectors available - shown in gray

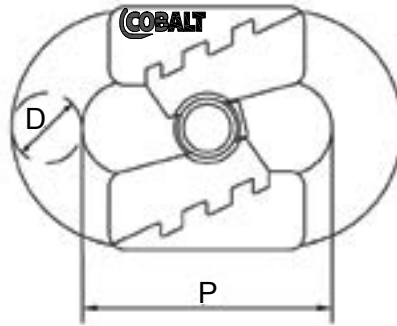
Round Link Double Bolt Shackles

Size	A - Bolt	B	C	D	E	Weight lbs
	in					
14x50	0.63	1.88	0.68	1.15	1.50	1.20
18x64	0.63	2.00	0.88	1.25	1.75	2.20
22x86	0.63	3.13	1.16	2.00	1.63	4.60
26x92	0.88	3.75	1.12	2.25	2.38	7.05
30x108	1.00	3.78	1.26	2.20	2.36	18.74

WARNING: DURING INSTALLATION, FORGED ALLOY SHACKLE DIMENSION "C" SHOULD NOT BE REDUCED BY MORE THAN 0.020"

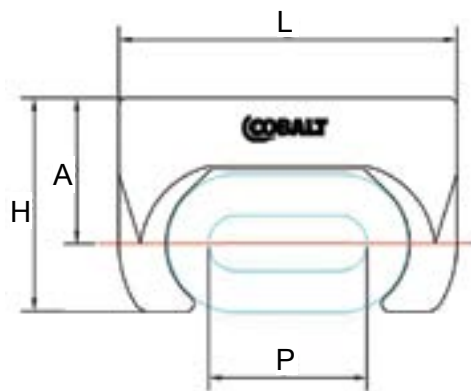


ROUND LINK CHAINS & SPROCKETS



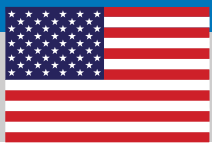
- Forged Alloy Steel
- Easy Installation

Chainlock Connectors						
Size	P		D		Weight	
	mm	in	mm	in	lbs	kg
14x50	50.00	1.97	14.00	0.55	1.00	0.45
18x64	64.00	2.52	18.00	0.71	1.50	0.68
22x86	86.00	3.39	22.00	0.87	2.70	1.22
26x92	92.00	3.62	26.00	1.02	7.50	3.40
30x108	108.00	4.25	30.00	1.18	6.61	3.00
34x126	126.00	4.96	34.00	1.34	9.48	4.30



- Forged Alloy Steel
- Ultra Simple Installation

Plug In Connectors										
Size	P		L		H		A		Weight	
	mm	in	mm	in	mm	in	mm	in	lbs	kg
14x50	50.00	1.97	110.00	4.33	73.00	2.87	50.00	1.97	1.10	0.50
18x64	64.00	2.52	135.00	5.31	84.00	3.31	64.00	2.52	1.80	0.82
22x86	86.00	3.39	182.00	7.17	116.00	4.57	80.00	3.15	4.40	2.00
26x100	100.00	3.94	214.00	8.41	135.00	5.31	92.00	3.62	7.30	3.31
30x108	108.00	4.25	240.00	9.45	160.00	6.30	110.00	4.33	11.02	5.00
34x126	126.00	4.96	272.00	10.71	177.00	6.97	122.00	4.80	15.90	7.21



Exceptional Performance, Superior Results

