

# Mining Chains & Sprockets

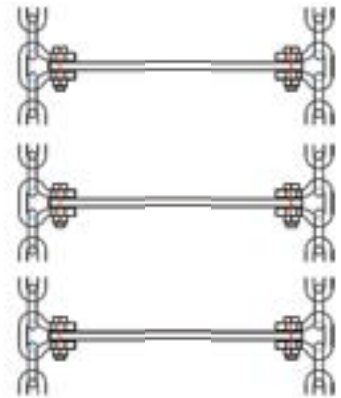
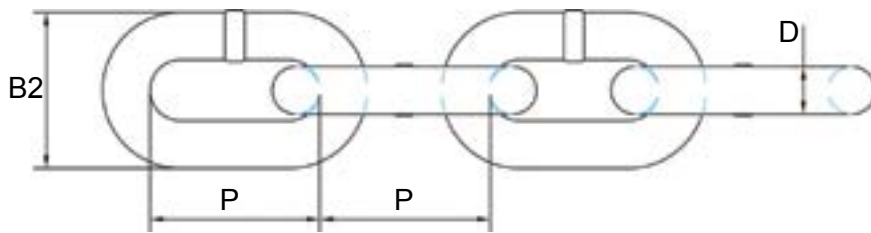


### ROUND LINK CHAINS & SPROCKETS

Cobalt Chains round link steel chains have become a proven standard in aggressive mining, ash handling, cement production, and other heavy-duty applications due to their high strength and flexibility in operation. They are built to meet or exceed standards for dimensional consistency, interchangeability, and correct sprocket engagement, commonly with the DIN 22252 & DIN 764 specifications. We also offer a range of quality accessories such as forged master links, attachment shackles, mounting hardware, and complete sprocket solutions.



- Round Link Chain is through hardened from stock, case hardened can be ordered
- Single style forged sprocket teeth are made to order
- 2, 3 or 4 piece split sprockets are available



Typical Chain Layout

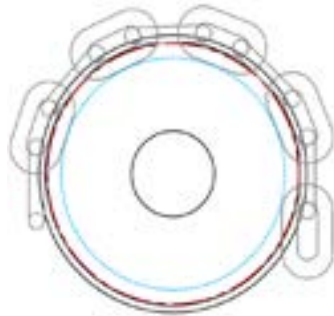
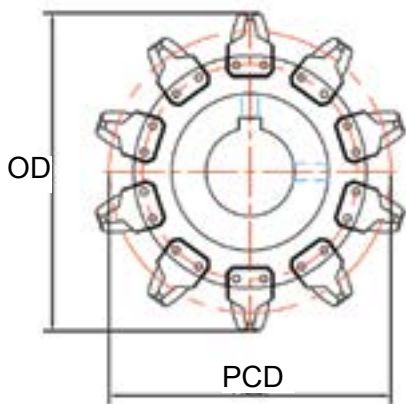
Round Link Chains											
Chain	P		D		B2		Hardness		Minimum UTS		Weight
	mm	in	mm	in	mm	in	RC	BHN	kN	lbs	lbs/ft
CR11x38	38.00	1.49	11.00	0.43	35.00	1.37	40.00	375.00	172.00	38,000	2.00
CR14X50	50.00	1.97	14.00	0.55	46.00	1.81	40.00	375.00	250.00	55,000	2.70
CR18x64	64.00	2.52	18.00	0.71	60.00	2.36	40.00	375.00	410.00	90,000	4.50
CR22x86	86.00	3.39	22.00	0.87	74.00	2.91	40.00	375.00	610.00	135,000	6.40
CR26x92	92.00	3.62	26.00	1.02	85.00	3.35	40.00	375.00	850.00	191,000	9.21
CR26x100	100.00	3.94	26.00	1.02	87.00	3.42	40.00	375.00	1130.00	249,000	14.50
CR30x108	108.00	4.25	30.00	1.18	97.00	3.81	40.00	375.00	1220.00	27,000	19.60
CR34x126	126.00	4.96	34.00	1.39	109.00	4.29	40.00	375.00	1560.00	344,000	24.80

\*Dimensions +/- 1mm

Other Chains Available



**ROUND LINK CHAINS & SPROCKETS**



\*Smooth Idler



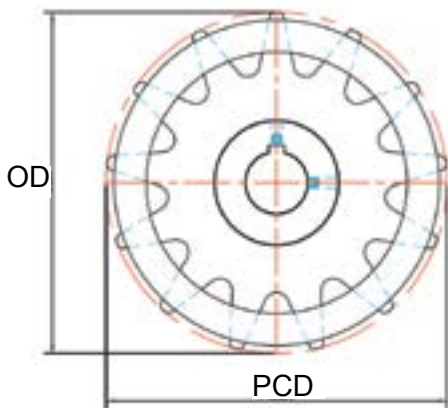
8-Tooth Round Link Chain Sprocket

**Sprockets**

Size	6T				8T				10T				13T			
	PCD		OD		PCD		OD		PCD		OD		PCD		OD	
	mm	in	mm	in	mm	in	mm	in	mm	in	mm	in	mm	in	mm	in
14x50	194.00	7.64	232.00	9.13	256.00	10.08	293.00	11.54	319.00	12.56	357.00	14.06	415.00	16.34	453.00	17.83
18x64	247.00	9.72	298.00	11.73	328.00	12.91	381.00	15.00	409.00	16.10	460.00	18.11	531.00	20.91	583.00	22.95
22x86	335.00	13.19	420.00	16.54	442.00	17.40	526.00	20.71	550.00	21.65	634.00	24.96	-	-	-	-
26x92	354.00	13.94	434.00	17.09	471.00	18.54	551.00	21.69	588.00	23.15	668.00	26.30	-	-	-	-
30x108	416.00	16.34	517.00	20.35	554.00	21.81	655.00	25.79	759.00	29.88	860.00	33.86	-	-	-	-

Other sizes available

\*Smooth Idlers made to order



13-Tooth Self-Cleaning Round Link Sprockets

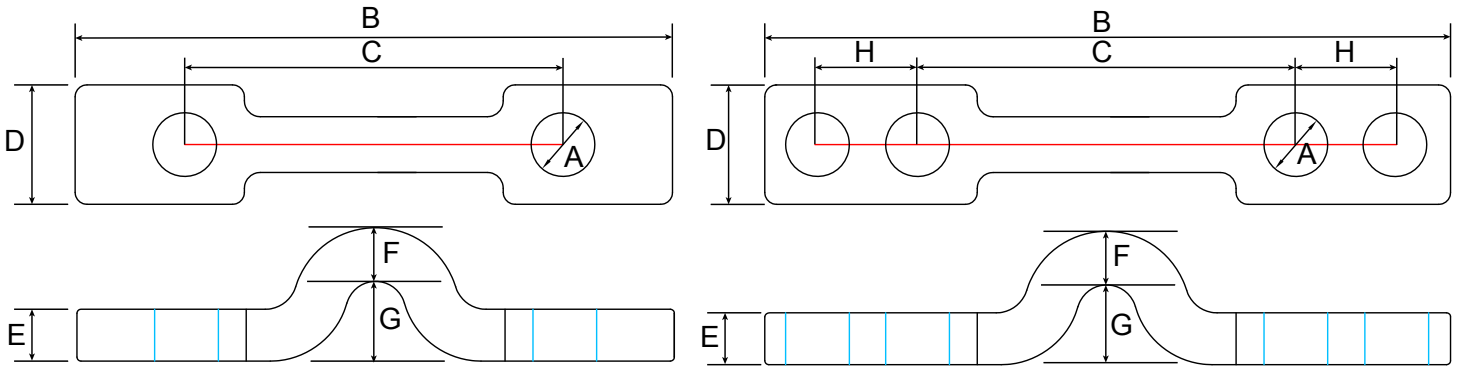
**Self Cleaning Sprockets**

Size	6T				8T				10T				13T			
	PCD		OD		PCD		OD		PCD		OD		PCD		OD	
	mm	in	mm	in	mm	in	mm	in	mm	in	mm	in	mm	in	mm	in
14x50	194.00	7.64	218.00	8.58	256.00	10.08	279.00	10.98	319.00	12.56	305.00	12.00	415.00	16.34	439.00	17.28
18x64	247.00	9.72	280.00	11.02	328.00	12.91	363.00	14.29	409.00	16.10	442.00	17.40	531.00	20.91	565.00	22.24
22x86	335.00	13.19	398.00	15.67	442.00	17.40	504.00	19.84	550.00	21.65	612.00	24.09	-	-	-	-
26x92	354.00	13.94	408.00	16.06	471.00	18.54	525.00	20.67	588.00	23.15	642.00	25.28	-	-	-	-
30x108	416.00	16.34	487.00	19.17	554.00	21.81	625.00	24.61	759.00	29.88	830.00	32.68	-	-	-	-

\*All dimensions or values of any type in this catalog are subject to change without notice

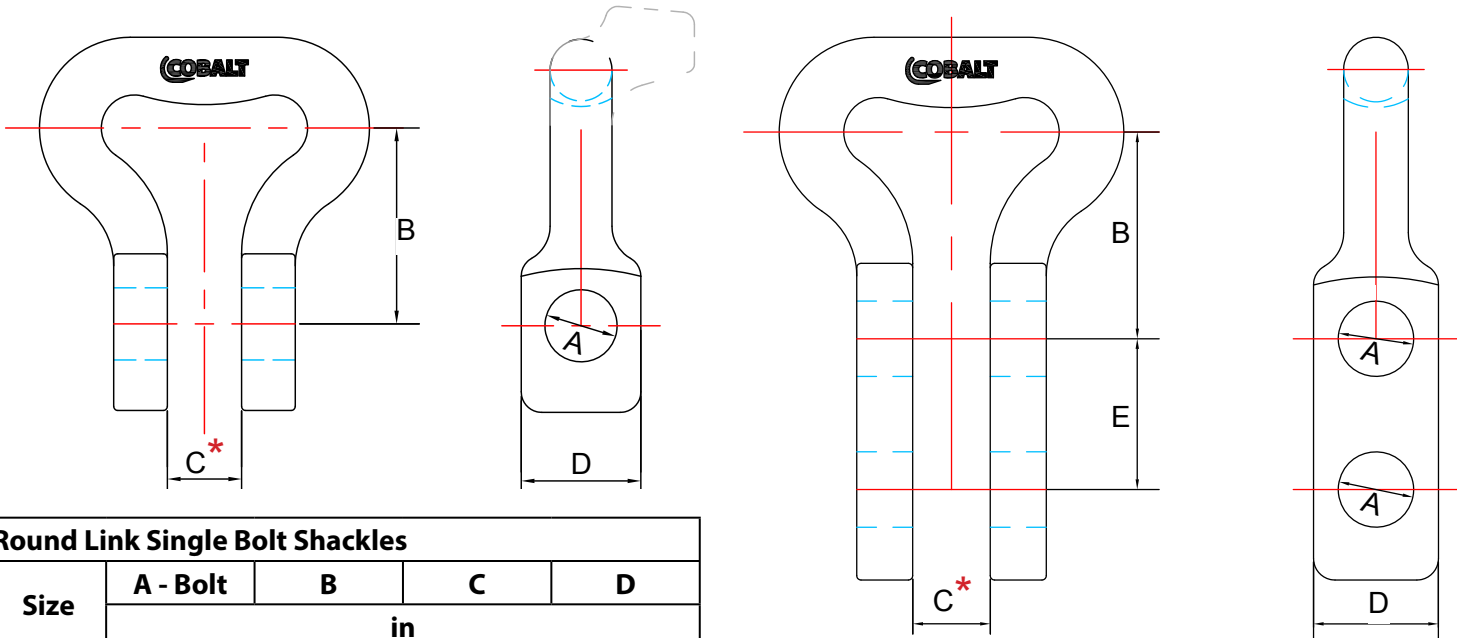


**ROUND LINK CHAINS & SPROCKETS**



**Round Link Half Shackles**

Size	Bolts	D	C	B	A-Bolt	G	E	F	H
		in							
14x50	2	1.19	3.74	5.88	0.63	0.76	0.50	0.56	-
18x64	2	1.41	4.44	6.88	0.63	1.00	0.72	0.72	-
18x64	4	1.41	4.44	9.44	0.63	1.00	0.72	0.72	1.62



**Round Link Single Bolt Shackles**

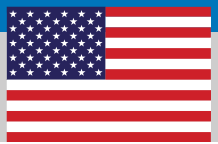
Size	A - Bolt	B	C	D
	in			
14x50	0.63	1.88	0.68	1.15
18x64	0.63	2.16	0.88	1.50
18x64	0.75	2.16	0.88	1.50
22x86	1.00	2.95	1.22	2.00
26x92	1.00	3.50	1.12	2.25
30x108	1.18	3.78	1.34	2.52
34x126	1.42	4.33	1.38	2.56

"Padded" connectors available - shown in gray

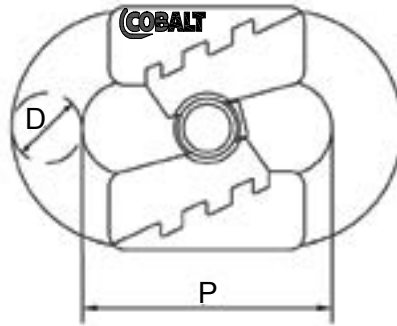
**Round Link Double Bolt Shackles**

Size	A - Bolt	B	C	D	E
	in				
14x50	0.63	1.88	0.68	1.15	1.50
18x64	0.63	2.00	0.88	1.25	1.75
22x86	0.63	3.13	1.16	2.00	1.63
26x92	0.88	3.75	1.12	2.25	2.38
30x108	1.00	3.78	1.26	2.20	2.36

**WARNING: DURING INSTALLATION, FORGED ALLOY SHACKLE DIMENSION "C" SHOULD NOT BE REDUCED BY MORE THAN 0.020"**

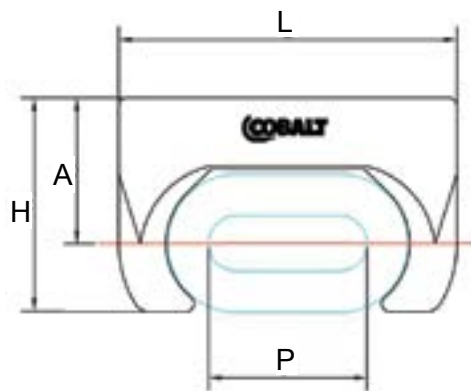


**ROUND LINK CHAINS & SPROCKETS**



- Forged Alloy Steel
- Easy Installation

Chainlock Connectors						
Size	P		D		Weight	
	mm	in	mm	in	lbs	kg
14x50	50.00	1.97	14.00	0.55	1.00	0.45
18x64	64.00	2.52	18.00	0.71	1.50	0.68
22x86	86.00	3.39	22.00	0.87	2.70	1.22
26x100	100.00	3.94	26.00	1.02	7.50	3.40
30x108	108.00	4.25	30.00	1.18	6.61	3.00
34x126	126.00	4.96	34.00	1.34	9.48	4.30



- Forged Alloy Steel
- Ultra Simple Installation

Plug In Connectors										
Size	P		L		H		A		Weight	
	mm	in	mm	in	mm	in	mm	in	lbs	kg
14x50	50.00	1.97	110.00	4.33	73.00	2.87	50.00	1.97	1.10	0.50
18x64	64.00	2.52	135.00	5.31	84.00	3.31	64.00	2.52	1.80	0.82
22x86	86.00	3.39	182.00	7.17	116.00	4.57	80.00	3.15	4.40	2.00
26x100	100.00	3.94	214.00	8.41	135.00	5.31	92.00	3.62	7.30	3.31
30x108	108.00	4.25	240.00	9.45	160.00	6.30	110.00	4.33	11.02	5.00
34x126	126.00	4.96	272.00	10.71	177.00	6.97	122.00	4.80	15.90	7.21





*Exceptional Performance, Superior Results*

