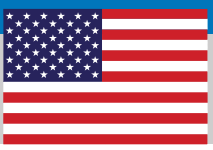
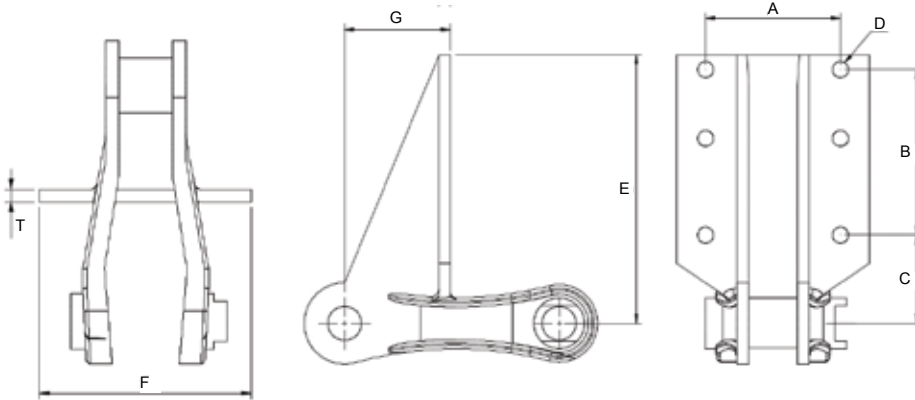


Environmental Chains



ENVIRONMENTAL CHAINS



Clarifier Chain Attachment Details

Chain	Material	A	B		C	D	E		F		G	T	Average Ultimate Strength	Working Load	Weight
			F22-6	F22-8			F22-6	F22-8	F22-6	F22-8			lbs	lbs	lbs/ft
C720	CS	3.75	2.63	4.50	2.38	0.38	6.13	8.13	5.50	5.50	3.00	0.31	27,500	4,025	11.80
C720S	CS	3.75	2.63	4.50	2.38	0.38	6.13	8.13	5.38	5.50	3.00	0.31	37,500	4,425	13.30
C720SC	CS	3.75	2.63	4.50	2.38	0.38	6.13	8.13	5.63	5.63	3.00	0.31	37,500	4,425	14.00
C730SC	CS	3.75	2.63	4.50	2.38	0.38	6.13	8.13	5.63	5.63	3.00	0.31	37,500	4,425	15.60
Note: F2 Attachment also available on CS Chains															
CWH720S	WS	3.75	2.63	4.50	2.38	0.38	6.00	7.88	5.00	5.50	3.00	0.25	42,500	5,300	10.70
CSS720	SS	3.75	2.63	4.50	2.38	0.56	6.19	7.88	5.50	5.63	3.00	0.25	42,500	5,300	13.10
CPM720S	PM	3.75	2.63	4.50	2.38	0.38	6.13	7.88	5.50	5.63	3.00	0.31	6,000	2,600	1.34

Collector Drive Chain

Chain	Material	A	B	B	C	D	E	F	G	T	Average Ultimate Strength	Working Load	Weight
											lbs	lbs	lbs/ft
CPM78	PM	2.94	PITCH	2.61	0.44	0.88	0.94	1.13	11.50	N/A	4,000	1,750	1.40
CPM82	PM	3.31	PITCH	3.08	0.25	1.25	1.13	1.50	13.70	N/A	5,000	2,100	2.20
CSS78/C	SS	2.56	PITCH	2.61	0.50	0.88	1.13	1.25	N/A	0.25	24,000	2,500	3.80

For carrying shoes, spacers, flights and skimmers.