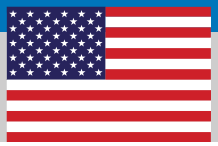
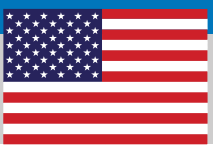


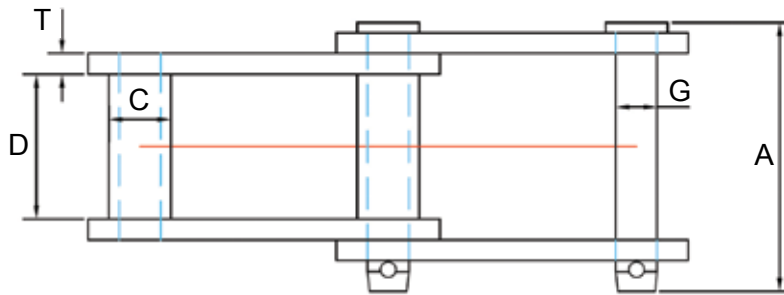
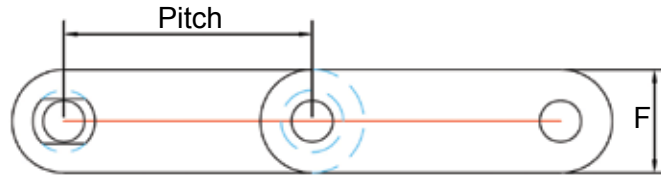
Exceptional Performance, Superior Results



Engineered Steel Chains



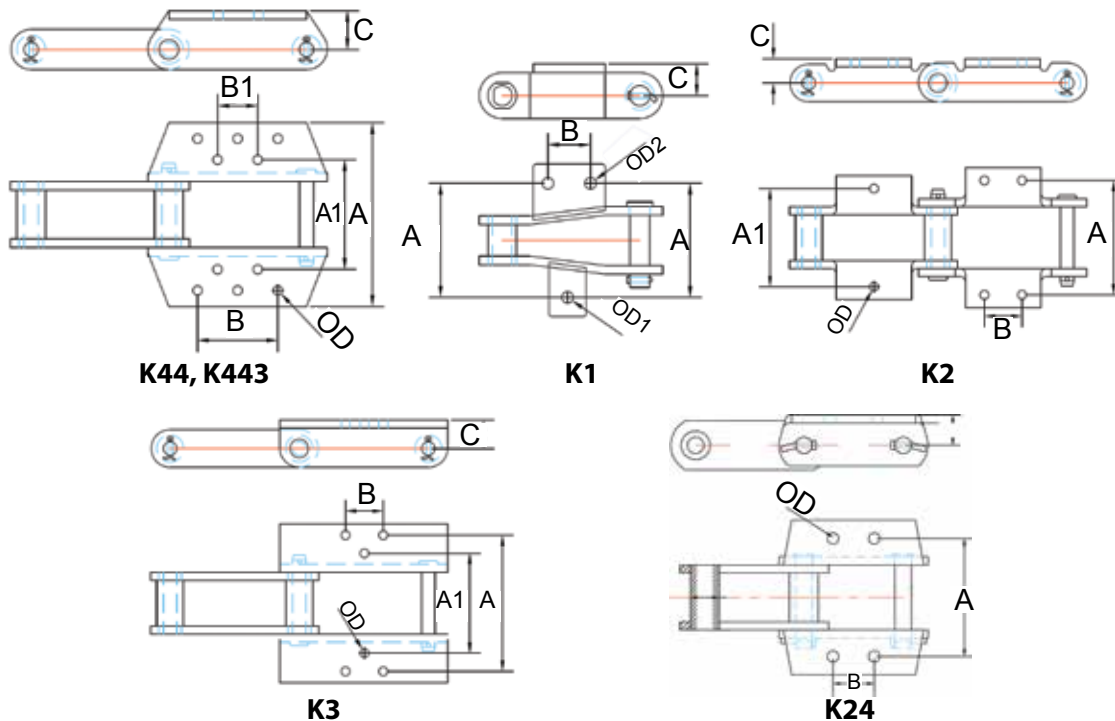
Mill Duty Bucket Elevator Chains



Mill Duty Bucket Elevator Chains																				
Chain	Pitch		Pin Length		Pin Dia		Bush Dia		Gearing Width		Sidebar Height		Sidebar Thickness		Minimum Ultimate Strength		Rated Working Load		Weight	
			A		G		C		D		F		T							
	in	mm	in	mm	in	mm	in	mm	in	mm	in	mm	in	mm	lbs	kg	lbs	kg	lbs/ft	kg/mtr
CSB188	2.609	66.27	2.69	68.26	0.50	12.70	0.88	22.22	1.06	26.99	1.13	30.00	0.25	6.00	25,000	11,364	2,740	1,250	3.80	5.70
CSB131	3.075	78.10	3.50	88.90	0.63	15.88	1.25	31.75	1.31	33.34	1.50	40.00	0.38	10.00	40,000	18,180	4,450	2,020	7.40	11.00
CSB102B	4.000	101.60	4.38	111.13	0.63	15.88	1.00	25.40	2.13	53.98	1.50	40.00	0.38	10.00	40,000	18,180	6,300	2,850	6.90	10.30
CSB110	6.000	152.40	4.38	111.13	0.63	15.88	1.25	31.75	2.13	53.98	1.50	40.00	0.38	10.00	40,000	18,180	6,300	2,850	6.30	9.40
CSB856	6.000	152.40	6.00	152.40	1.00	25.40	1.75	44.50	3.00	76.20	2.50	65.00	0.50	10.00	100,000	45,450	14,000	6,360	16.50	24.60
CSB857	6.000	152.40	6.00	152.40	1.00	25.40	1.75	44.50	3.00	76.20	3.25	80.00	0.50	10.00	130,000	59,090	14,000	6,360	21.00	31.30
CSB859	6.000	152.40	7.63	193.68	1.25	31.75	2.38	60.33	3.75	95.25	4.00	100.00	0.63	16.00	200,000	90,900	22,000	10,000	34.00	50.70
CSB956	6.000	152.40	6.44	163.58	1.00	25.40	1.75	44.45	3.00	76.20	3.00	76.20	0.50	12.70	100,000	45,450	14,000	6,360	16.60	24.70
CSB958	6.000	152.40	6.44	163.58	1.13	28.70	2.00	50.80	3.00	76.20	3.25	82.55	0.56	14.22	100,000	45,450	16,300	7,394	21.00	31.25
CSB6150	6.050	153.67	6.63	168.28	1.00	25.40	1.75	44.50	3.38	85.73	2.50	65.00	0.50	10.00	100,000	45,450	15,000	6,800	16.60	24.75
CSB864	7.000	177.80	7.63	193.68	1.25	31.75	2.38	60.33	3.75	95.25	4.00	100.00	0.63	16.00	200,000	90,900	22,000	10,000	33.00	49.20
CSB984	7.000	177.80	7.74	196.60	1.38	35.05	2.50	63.50	3.75	95.25	4.00	101.60	0.62	15.75	155,000	70,307	24,000	10,886	33.00	49.20



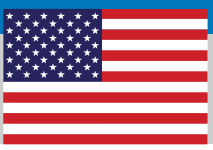
Mill Duty Bucket Elevator Chains



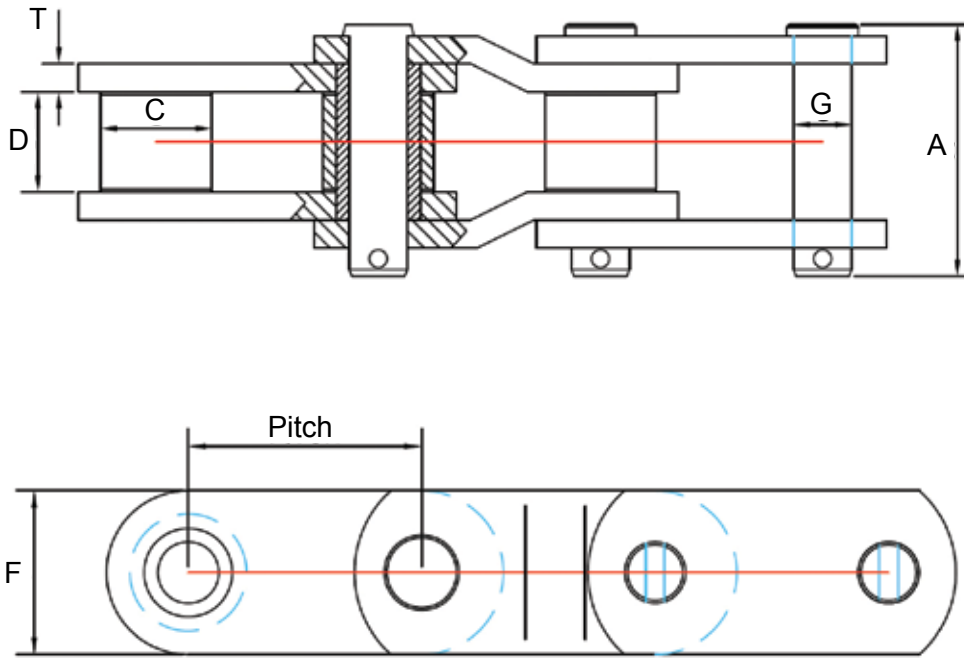
Mill Duty Elevator Chain Attachment Detail

Chain	Style	No. of Holes	Transverse Hole Centres				Longitudinal Hole Centres				Platform Height		Bolt Diameter	
			A		A1		B		B1		C		OD	
			in	mm	in	mm	in	mm	in	mm	in	mm	in	mm
CSB188	K1	2	4.19	106.36			1.25	31.75			0.81	20.64	0.38	9.53
	K2	4	4.19	106.36			1.25	31.75			0.81	20.64	0.38	9.53
CSB131	K1	2	4.13	104.78			1.50	38.10			1.00	25.40	0.50	12.70
	K2	4	4.13	104.78			1.50	38.10			1.00	25.40	0.50	12.70
CSB102B	K2	4	5.31	134.94			1.75	44.45			1.00	25.40	0.38	9.53
CSB110	K2	4	5.31	134.94			1.75	44.45			1.88	47.63	0.38	9.53
CSB6150	K2	4	7.50	190.50			2.75	69.85			1.88	47.63	0.50	12.70
CSB1084	K2	4	13.00	330.20	13.00	330.20	5.50	139.70			3.00	76.20	0.69	17.50
CSB856	K24	4	7.25	184.15			2.50	63.50			1.88	47.63	0.63	15.88
CSB956	K24	4	7.25	184.15			2.50	63.50			1.88	47.63	0.69	17.50
CSB857	K44	8	12.00	304.80	7.00	177.80	3.50	88.90	3.50	89.00	2.50	63.50	0.50	12.70
CSB859	K44	8	13.00	320.20	9.00	228.60	4.50	114.30	2.75	69.85	3.00	76.20	0.63	15.88
CSB958	K44	8	12.00	304.80	7.00	177.80	3.50	88.90	3.50	89.00	2.50	63.50	0.56	14.20
CSB864	K443	10	13.00	320.20	9.00	228.60	5.50	139.70	3.75	95.25	3.00	76.20	0.69	17.50
CSB984	K443	10	13.00	320.20	9.00	228.60	5.50	139.70	3.75	95.25	3.00	76.20	0.69	17.50

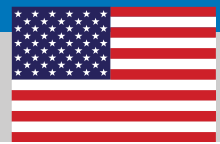
Note: Various styles of attachment available. Details available upon application.



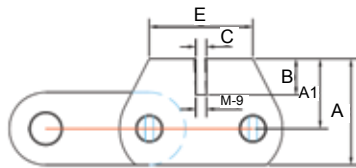
ASPHALT DRAG CHAINS



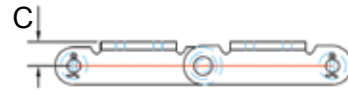
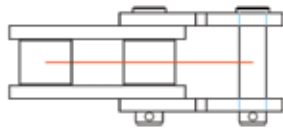
Asphalt Drag Chains																				
Chain	Pitch		Pin Length		Pin Dia		Roller Dia		Gearing Width		Sidebar Height		Sidebar Thickness		Minimum Ultimate Strength		Rated Working Load		Weight	
			A	G	C	D	F	T												
	in	mm	in	mm	in	mm	in	mm	in	mm	in	mm	in	mm	lbs	kg	lbs	kg	lbs/ft	kgs/mtr
C2102	4.000	101.60	4.50	114.30	0.63	15.88	1.50	38.10	2.22	56.36	1.50	40.00	0.38	10.00	56,500	25,700	6,500	2,950	9.00	13.42
C2268	4.038	102.57	4.25	107.95	0.75	19.05	1.63	41.25	2.00	50.80	2.25	60.00	0.38	10.00	100,000	45,450	7,200	3,270	11.00	16.40
C2856	6.000	152.40	6.00	152.40	1.00	25.40	2.75	69.85	3.00	76.20	2.50	65.00	0.50	12.00	143,000	65,000	14,000	6,360	21.30	31.75
C2860	6.000	152.40	6.00	152.40	1.00	25.40	2.75	69.85	3.00	76.20	2.50	65.00	0.50	12.00	143,000	65,000	14,000	6,360	21.30	31.75
C2866	6.000	152.40	6.00	152.40	1.00	25.40	2.75	69.85	3.00	76.20	2.75	70.00	0.50	12.00	149,000	67,700	14,000	6,360	22.10	32.95
C3940	6.000	152.40	4.25	107.95	0.75	19.05	1.63	41.25	2.00	50.80	2.25	60.00	0.38	10.00	90,000	40,900	7,200	3,270	7.80	11.60
C3945	4.000	101.60	4.19	106.36	0.63	15.88	1.25	31.75	2.00	50.80	1.50	40.00	0.31	8.00	45,000	20,450	5,700	2,590	8.50	12.70
C3950	4.038	102.57	4.19	106.36	0.63	15.88	1.38	34.93	2.00	50.80	1.50	40.00	0.31	8.00	45,000	20,450	5,700	2,590	8.95	13.35
C3952	4.000	101.60	4.25	107.95	0.75	19.05	1.44	36.51	2.00	50.80	1.25	30.00	0.38	10.00	62,000	28,200	8,200	3,730	9.00	13.42
C4604	4.604	116.94	4.19	106.36	0.63	15.88	1.38	34.93	2.00	50.80	1.50	40.00	0.31	8.00	45,000	20,450	5,700	2,590	8.70	13.00



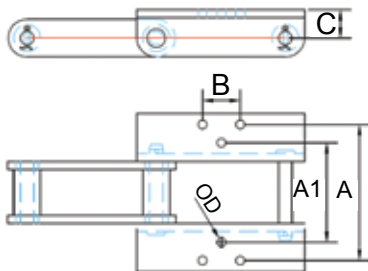
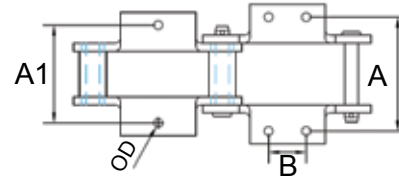
ASPHALT DRAG CHAINS



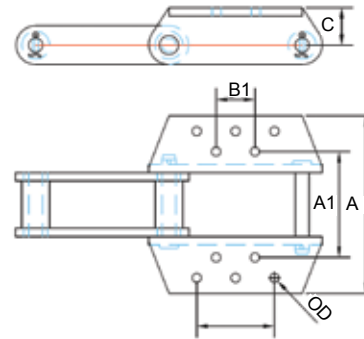
M1 & M9



K2



K3

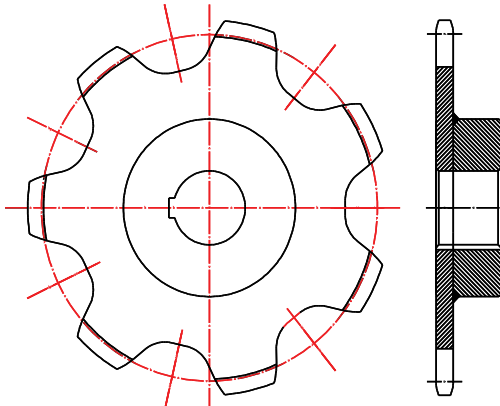


K24

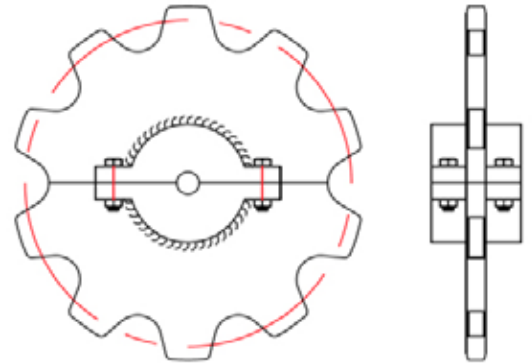
Drag Slat Chain Attachment Detail													
Chain	Style	A		A1		B		C		OD (R)		E (M)	
		in	mm	in	mm	in	mm	in	mm	in	mm	in	mm
C2102	K2	5.31	134.94			1.75	44.45	1.13	28.58	0.50	12.00		
	M1					2.38	60.33	0.56	14.29			4.01	102.00
C2268	K2	5.25	133.35					2.00	50.80	0.50	12.00		
C2856	K2 (SP)	7.25	184.15					1.88	47.63	0.63	16.00		
C2860	K24	7.25	184.15	4.75	120.65	2.50	63.50	1.88	47.63	0.63	16.00		
	M1	6.00	152.40	3.63	92.08	2.75	69.85	0.81	20.64			6.75	171.45
C2866	M1	5.00	127.00	3.63	92.08	2.38	60.33	0.81	20.64			3.06	77.78
	M9	5.00	127.00			2.38	60.33	0.81	20.64			3.06	77.78
C3940	K2	6.25	158.75			2.31	58.74	2.00	50.80	0.50	12.00		
C3945	K2	5.31	139.94			1.75	44.45	1.38	34.93	0.50	12.00		
	K3	5.31	139.94	4.75	120.65	1.75	44.45	1.38	34.93	0.38	10.00		
C3950	K3	5.31	139.94	4.75	120.65	1.14	39.69	1.38	34.93	0.38	10.00		
C3952	K2	5.50	139.70			1.94	49.21	1.63	41.28	0.38	10.00		
	K3	5.50	139.70	4.75	120.65	1.75	44.45	1.63	41.28	0.38	10.00		
C4604	K3	5.31	139.94	4.75	120.65	1.75	44.45	1.63	41.28	0.38	10.00		



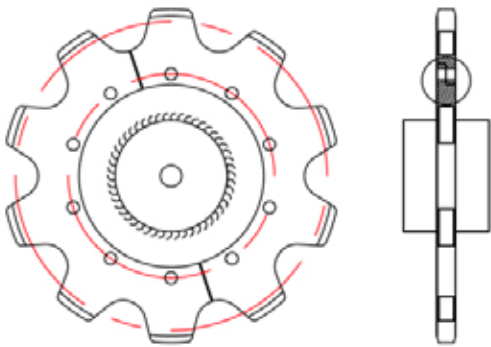
ENGINEERING CLASS SPROCKETS



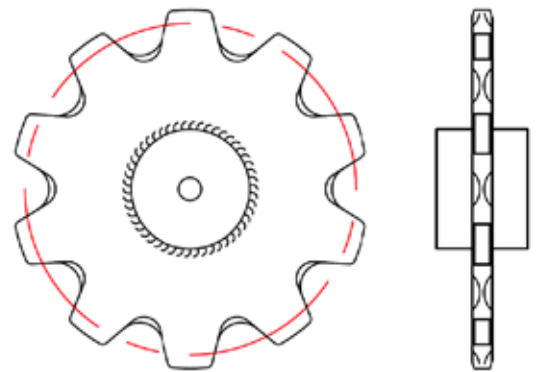
STANDARD SPROCKET



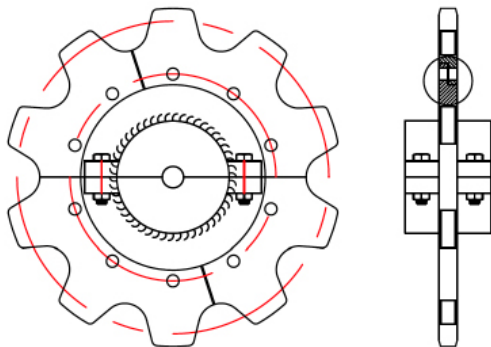
SPLIT CONSTRUCTION SPROCKET



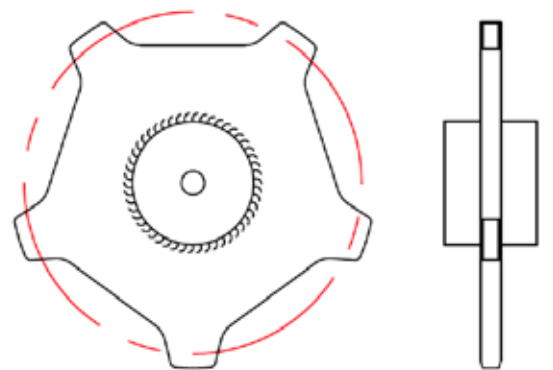
SEGMENTAL CONSTRUCTION SPROCKET



MUD RELIEF TOOTH FORM



SEGMENTAL SPLIT CONSTRUCTION SPROCKET



JUMP TOOTH