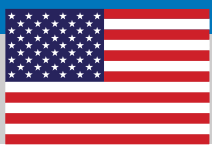




Cast Detachable Chains





CAST DETACHABLE CHAINS - DOMESTIC STYLE

Domestic Style								
Chain	Style	Pitch	Width	Diameter of crossbar	Maximum sprocket face	No. of links in 10 ft	Average Ultimate Strength	Weight
			A	C	E		lb	lb/ft
			in					
32	A	1.15	0.72	0.17	0.50	104	1,100	0.32
33	A	1.39	1.03	0.17	0.50	86	1,200	0.32
34	A	1.40	1.16	0.19	0.50	86	1,300	0.40
42	A	1.38	1.28	0.22	0.63	88	1,600	0.55
45	A	1.63	1.25	0.22	0.69	74	1,700	0.52
48	A	2.00	1.50	0.22	0.81	60	1,600	0.53
50	A	1.38	1.34	0.27	0.63	87	1,900	0.71
51	A	1.56	1.16	0.27	0.56	104	1,900	0.70
S.51	A	1.14	1.06	0.27	0.56	105	1,900	0.76
52	A	1.51	1.47	0.27	0.63	80	2,300	0.80
52 1/2	A	1.51	1.34	0.27	0.63	80	2,260	0.73
O52	A	1.52	1.63	0.27	0.75	79	2,300	0.95
55	A	1.63	1.30	0.27	0.69	74	2,300	0.70
57	A	2.31	1.69	0.27	0.75	52	2,900	0.87
62	A	1.65	1.55	0.31	0.81	73	3,200	1.04
67	B	2.31	1.95	0.31	0.69	52	3,400	1.15
72	A	2.03	1.91	0.42	0.69	59	4,240	1.60
O72	B	1.65	2.31	0.38	1.00	73	4,340	1.95
72 1/2	B	1.65	2.31	0.42	0.88	73	4,590	2.00
O72 1/2	B	1.67	2.25	0.38	0.94	72	4,300	1.95
75	A	2.61	1.97	0.41	0.94	46	4,100	1.34
76 1/2	A	2.07	1.88	0.42	0.94	58	3,890	1.50
77	B	2.30	2.19	0.39	0.69	52	3,600	1.45
78	B	2.61	2.56	0.42	0.94	46	4,100	1.86
83	B	4.00	3.09	0.48	1.06	30	4,950	1.90
85	B	4.00	4.22	0.48	2.13	30	7,800	2.47
88	B	2.61	2.72	0.48	0.94	46	6,400	2.30
95	B	3.97	4.25	0.56	2.00	30	9,000	2.90
103	B	3.08	3.25	0.58	1.13	39	10,000	4.00
108	B	4.72	4.94	0.58	2.38	25 1/2	10,000	3.48
114	B	3.25	3.44	0.66	1.13	37	12,000	5.25
124	B	4.06	4.03	0.77	1.25	30	17,000	6.40
E.1	A	2.04	1.88	0.41	0.94	59	3,800	1.50

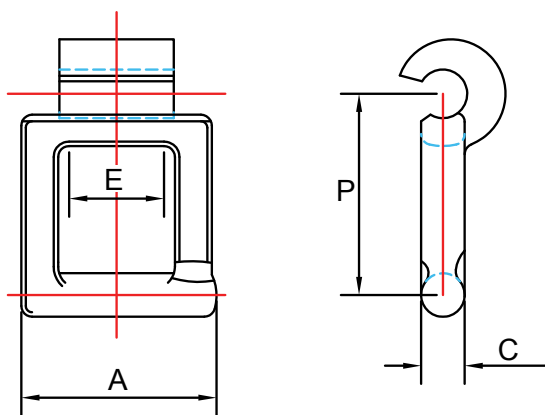
A comprehensive range of sprocket patterns is available for all of the above chains



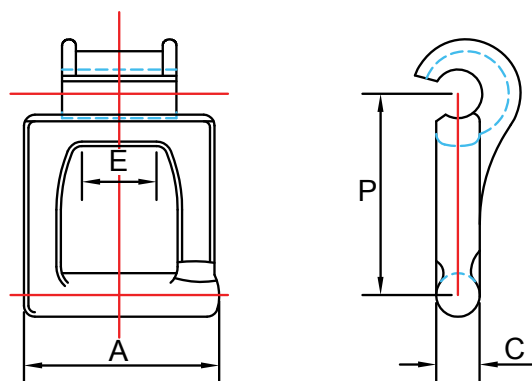
CAST DETACHABLE CHAINS - DOMESTIC STYLE

Cobalt Chains premium cast chains are most commonly used in material handling, sewage treatment, water filtration, fertilizer handling, sugar processing, waste wood conveying, and other applications. They are manufactured to withstand the abuse of industrial applications where cost-effective solutions are of great importance. These chains are assembled with heat-treated pins and slightly larger tolerances. This allows the material to easily work out of the connection points. Furthermore, they are designed and fully tested for dimensional consistency, interchangeability, and correct sprocket engagement. Most standard sizes are available from stock, with MTO and custom designed castings also available.

Style A

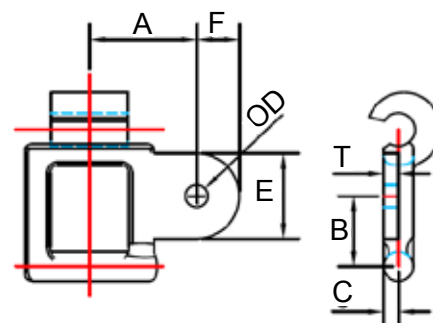


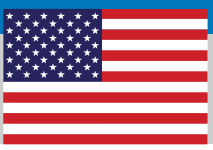
Style B



Type A1								
Chain	A	B	C	OD	E	F	T	Weight
	in							
32	0.88	0.63	0.09	0.19	0.75	0.31	0.13	0.50
42	1.09	0.66	0.09	0.25	1.13	0.50	0.13	0.70
45	1.13	0.88	0.13	0.25	1.19	0.56	0.16	0.75
51	0.91	0.59	0.13	0.19	0.75	0.34	0.13	0.92
52	1.19	0.78	0.13	0.25	1.06	0.50	0.13	1.04
55	1.13	0.88	0.13	0.25	1.38	0.56	0.16	0.95
57	1.50	1.13	0.19	0.25	1.81	0.88	0.19	1.55
62	1.44	0.84	0.16	0.25	1.31	0.56	0.19	1.50
72	1.63	1.00	0.22	0.38	1.25	0.63	0.22	2.40
77	1.56	1.25	0.19	0.25	1.63	0.88	0.22	1.89

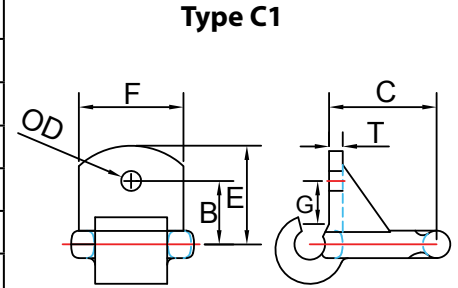
Type A1



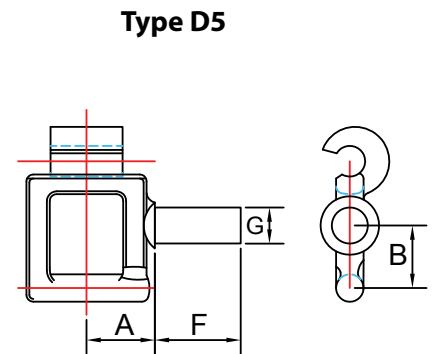


CAST DETACHABLE CHAINS -DOMESTIC STYLE

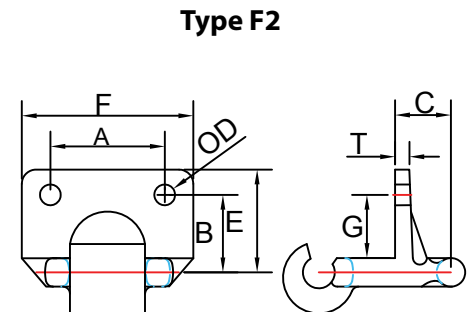
Type C1								
Chain	B	C	OD	E	F	G	T	Weight
	in							lbs/ft
52	0.75	1.22	0.25	1.13	1.31	0.63	0.13	1.40
55	0.69	1.34	0.25	1.34	1.19	0.50	0.09	1.20
57	0.78	2.00	0.25	1.38	1.44	0.63	0.13	1.30
88	-	2.19	-	2.56	2.38	-	0.19	4.30



Type D5					
Chain	A	B	F	G	Weight
	in				lbs/ft
45	0.75	0.88	1.00	0.50	1.10
52	0.84	0.75	1.63	0.56	1.92
55	0.88	0.81	1.31	0.44	1.50
57	1.06	1.13	1.19	0.63	1.68
62	0.88	0.81	1.75	0.50	2.10
75	1.25	1.19	1.44	0.88	2.50
78	1.50	1.31	1.75	0.88	3.40



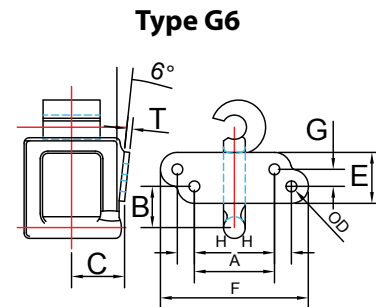
Type F2									
Chain	A	B	C	OD	E	F	G	T	Weight
	in								lbs/ft
52	1.06	0.94	0.63	0.19	1.25	1.69	0.69	0.16	1.60
55	1.06	0.91	0.69	0.19	1.25	1.56	0.63	0.16	1.35
57	1.56	1.19	0.94	0.25	1.50	2.19	0.81	0.22	1.95
67	1.56	1.06	1.06	0.25	1.38	2.19	0.75	0.19	2.18
75	1.56	1.25	1.00	0.31	1.63	2.38	0.88	0.25	2.60
77	1.75	1.38	1.19	0.31	1.94	2.50	0.94	0.25	3.11
78	1.75	1.41	1.13	0.31	1.88	2.63	1.00	0.28	3.60
85	3.00	1.81	1.75	0.38	2.50	3.94	1.25	0.28	4.71
88	2.00	1.38	1.25	0.31	2.00	2.81	0.88	0.25	4.14
103	2.13	1.81	1.31	0.38	2.38	3.13	1.25	0.28	6.10



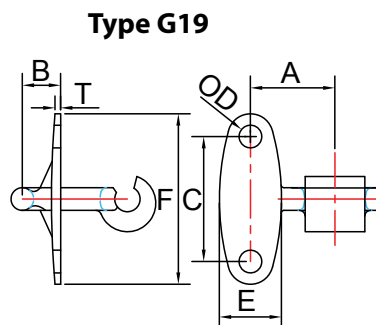


CAST DETACHABLE CHAINS - DOMESTIC STYLE

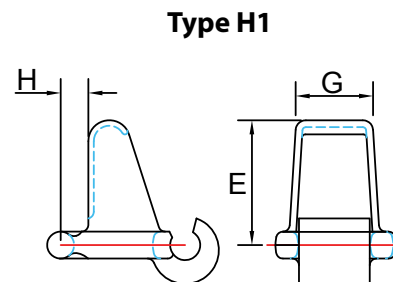
Type G6									
Chain	A	B	C	OD	F	G	H	T	Weight
	in								lbs/ft
77	1.25	0.88	1.37	1.38	3.31	0.56	-	0.19	2.65
78	1.75	1.00	1.56	1.38	3.88	0.56	0.66	0.25	3.40



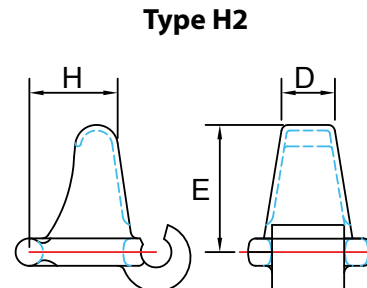
Type G19								
Chain	A	B	C	OD	E	F	T	Weight
	in							lbs/ft
77	1.75	1.19	2.63	0.25	0.63	3.31	0.19	2.80
78	2.00	1.38	2.63	0.31	0.63	3.50	0.25	3.35
88	2.00	1.38	2.63	0.31	0.63	3.50	0.25	4.30
103	2.38	1.69	2.88	0.38	0.75	3.88	0.25	6.15

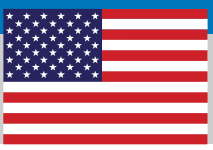


Type H1				
Chain	E	G	H	Weight
	in			lbs/ft
57	2.19	1.00	0.50	2.00
77	2.19	1.09	0.53	2.50
78	2.69	1.44	0.63	3.60
88	2.38	1.56	0.56	4.13



Type H2				
Chain	E	G	H	Weight
	in			lbs/ft
57	2.19	1.00	2.00	1.84
75	2.44	1.06	2.28	2.30

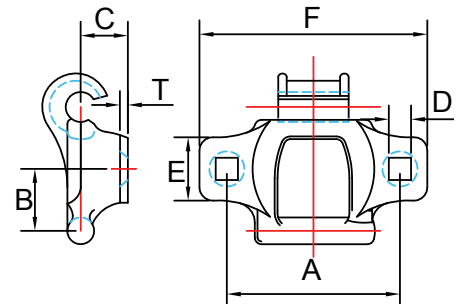




CAST DETACHABLE CHAINS - DOMESTIC STYLE

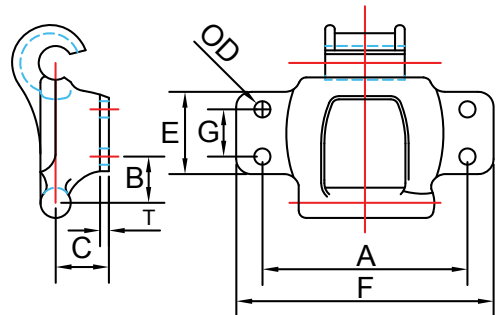
Type K1								
Chain	A	B	C	D	E	F	T	Weight
	in							lbs/ft
32	1.75	0.59	0.38	0.19	0.59	2.25	0.09	0.79
33	1.63	0.69	0.44	0.19	0.69	2.13	0.09	0.60
34	1.69	0.72	0.44	0.19	0.72	2.25	0.13	0.74
42	2.00	0.69	0.38	0.19	0.75	2.75	0.13	0.96
45	2.00	0.78	0.41	0.19	0.84	2.75	0.13	0.90
48	2.63	1.03	0.59	0.25	1.19	3.50	0.16	1.38
51	1.75	0.63	0.44	0.19	0.63	2.38	0.13	1.14
52	2.38	0.72	0.44	0.19	0.88	3.25	0.13	1.27
55	2.00	0.78	1.41	0.19	0.88	2.75	0.13	1.10
57	3.00	1.13	0.63	0.25	1.09	3.88	0.13	1.50
62	2.38	0.84	0.47	0.25	0.94	3.25	0.16	1.69
67	3.00	1.06	0.69	0.25	1.03	4.00	0.16	1.90
72 1/2	3.00	0.81	0.56	0.31	0.88	4.00	0.13	3.10
75	2.81	1.19	0.63	0.25	1.44	3.81	0.16	1.85
77	3.00	1.13	0.66	0.25	1.28	3.88	0.16	2.13
78	3.38	1.25	0.63	0.25	1.38	4.44	0.16	2.50
88	3.81	1.25	0.75	0.31	1.38	4.75	0.19	3.35
103	4.19	1.50	0.88	0.38	1.72	5.19	0.25	5.20

Type K1



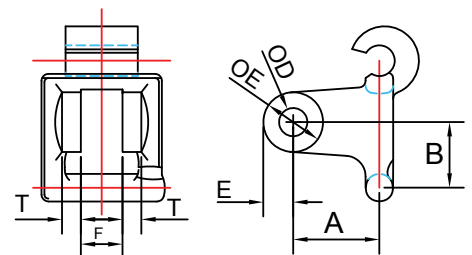
Type K2									
Chain	A	B	C	OD	E	F	G	T	Weight
	in								lbs/ft
77	3.00	0.72	0.66	0.25	1.56	4.00	0.81	0.13	2.33
85	5.19	1.13	0.81	0.38	2.56	6.19	1.75	0.19	3.79
95	5.19	1.13	0.81	0.38	2.56	6.19	1.75	0.22	4.65
103	4.13	0.81	0.81	0.50	2.31	5.25	1.50	0.31	5.54
108	6.25	1.16	0.88	0.38	3.31	7.25	2.31	0.22	5.57
114	4.25	0.81	0.81	0.50	2.50	5.38	1.50	0.41	7.70
124	5.25	1.25	1.13	0.38	3.13	6.50	1.94	0.28	10.08

Type K2



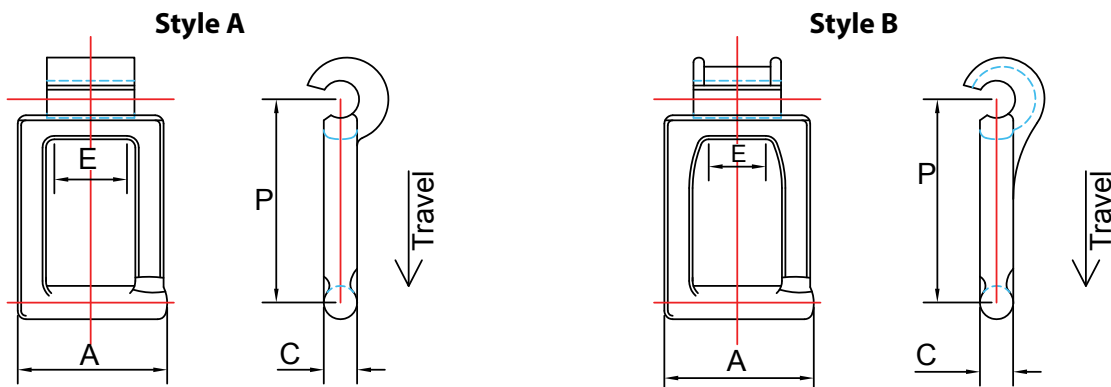
Type M3									
Chain	A	B	C	OD	E	F	T	Weight	
	in							lbs/ft	
83	1.44	2.00	0.69	0.63	1.38	1.00	0.44	3.80	

Type M3

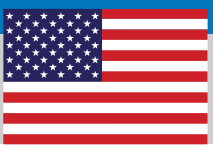




CAST DETACHABLE CHAINS - EUROPEAN STYLE

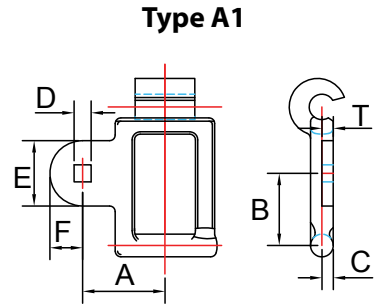


European Style														
Chain	Style	Pitch		Width		Diameter of crossbar		Maximum sprocket face		No. of links in 10 ft.	Average Ultimate Strength		Weight	
				A		C		E			lb	kg	lbs/ft	kg/m
		in	mm	in	mm	in	mm	in	mm					
32	A	1.14	29.00	1.03	26.00	0.16	4.00	0.50	14.00	106	850	385	0.42	0.62
33	A	1.38	35.00	1.06	27.00	0.16	4.00	0.50	14.00	87	850	385	0.42	0.62
42	A	1.38	35.00	1.38	35.00	0.25	6.00	0.63	16.00	87	2,000	910	0.72	1.08
45	A	1.61	41.00	1.38	35.00	0.22	5.50	0.69	17.00	75	1,500	680	0.57	0.85
48	A	2.03	51.50	1.63	41.00	0.23	5.60	0.88	23.00	59	2,000	910	0.66	0.98
52	A	1.52	38.50	1.50	38.00	0.25	6.00	0.81	21.00	80	2,250	1,020	0.90	1.34
55	A	1.64	41.70	1.38	35.00	0.27	6.50	0.63	16.00	73	2,500	1,140	1.00	1.51
57	A	2.32	59.00	2.00	50.00	0.31	8.00	0.94	25.00	52	3,000	1,360	1.16	1.74
57S	A	2.40	61.00	2.06	52.00	0.41	10.50	0.94	24.00	50	5,000	2,275	1.85	2.76
60	A	1.75	44.50	1.75	44.00	0.31	8.00	0.75	19.00	69	3,000	1,360	1.10	1.64
61	A	1.80	45.70	2.19	56.00	0.38	10.00	1.19	30.00	67	5,000	2,275	2.30	3.44
63	A	3.00	76.00	2.31	59.00	0.38	10.00	1.19	30.00	40	5,000	2,275	1.75	2.62
67	B	2.32	59.00	2.56	65.00	0.38	10.00	1.13	29.00	52	5,500	2,500	2.50	3.74
74	A	2.38	60.50	2.69	68.00	0.44	11.00	1.19	30.00	51	6,000	2,730	2.90	4.33
78	B	2.63	67.00	2.88	73.00	0.38	10.00	0.94	24.00	46	6,000	2,730	2.50	3.74
79	B	5.25	133.50	2.69	68.00	0.41	10.50	1.00	26.00	23	6,000	2,730	2.00	2.98
88	B	2.66	67.70	3.25	82.00	0.50	12.00	1.00	26.00	45	7,500	3,400	3.70	5.51
94	B	4.04	102.70	4.50	114.00	0.53	13.50	2.00	50.00	30	8,000	3,640	4.20	6.26
101	A	3.55	90.20	4.00	102.00	0.59	15.00	1.63	41.00	34	12,500	5,700	6.20	9.25
103	B	3.02	77.00	3.50	89.00	0.56	14.00	1.13	28.00	40	9,000	4,100	4.30	6.43
104	B	4.05	102.80	4.56	116.00	0.59	15.00	2.00	50.00	30	10,000	4,550	5.30	7.87

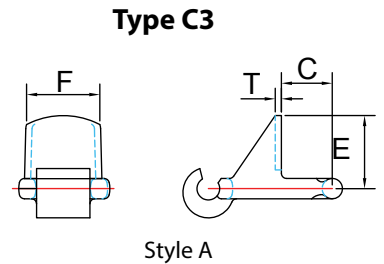


CAST DETACHABLE CHAINS - EUROPEAN STYLE

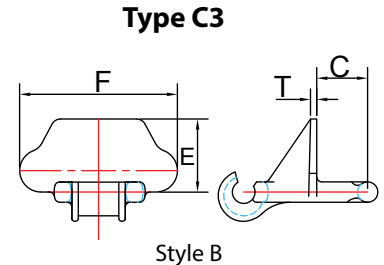
Type A1														
Chain	A		B		C		D		E		F		T	
	in	mm	in	mm	in	mm	in	mm	in	mm	in	mm	in	mm
32	0.88	22.00	0.56	14.00	0.09	2.00	0.19	5.00	0.69	17.00	0.31	8.00	0.13	3.00
42	1.06	27.00	0.69	17.00	0.13	3.00	0.31	8.00	0.97	24.00	0.63	16.00	0.16	4.00
45	1.13	28.00	0.88	22.00	0.11	2.50	0.25	6.00	1.19	30.00	0.63	16.00	0.13	3.00
48	1.31	34.00	1.13	29.00	0.11	2.50	0.31	8.00	1.38	35.00	0.63	16.00	0.16	4.00
52	1.19	30.00	0.69	17.00	0.13	3.00	0.31	8.00	1.06	27.00	0.75	19.00	0.19	5.00
55	1.19	30.00	0.84	22.00	0.16	4.00	0.31	8.00	1.13	28.00	0.66	17.00	0.16	4.00
57	1.50	38.00	1.19	30.00	0.16	4.00	0.38	10.00	1.63	41.00	0.94	24.00	0.19	5.00
57S	1.56	40.00	1.31	33.00	0.22	6.00	0.31	8.00	1.63	41.00	0.94	24.00	0.25	7.00
60	1.31	33.00	0.94	24.00	0.16	4.00	0.31	8.00	1.13	14.00	0.56	14.00	0.16	4.00



Type C3									
Chain	C		E		F		T		
	in	mm	in	mm	in	mm	in	mm	
48	0.88	22.00	1.56	40.00	1.38	35.00	0.16	4.00	
57	0.75	19.00	2.13	54.00	1.63	41.00	0.16	4.00	
63	1.44	36.00	1.88	48.00	2.13	54.00	0.19	5.00	
78	1.06	26.00	2.13	54.00	2.38	60.00	0.16	4.00	
103	1.50	38.00	2.50	64.00	3.13	82.00	0.22	6.00	



Type C3									
Chain	C		E		F		T		
	in	mm	in	mm	in	mm	in	mm	
84	1.81	46.00	3.63	92.00	5.88	150.00	0.19	5.00	
94	1.75	45.00	3.63	92.00	5.63	143.00	0.25	6.00	
104	1.75	45.00	3.75	95.00	6.00	152.00	0.22	6.00	

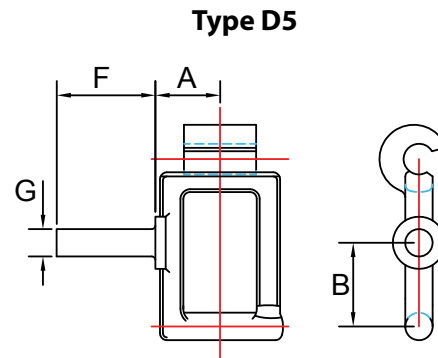




CAST DETACHABLE CHAINS - EUROPEAN STYLE

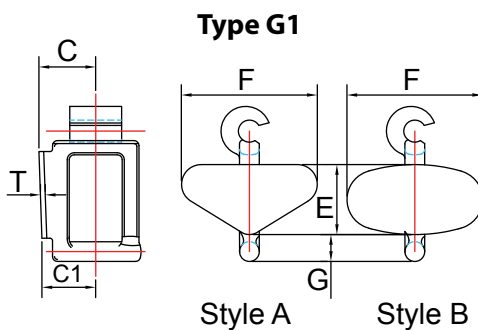
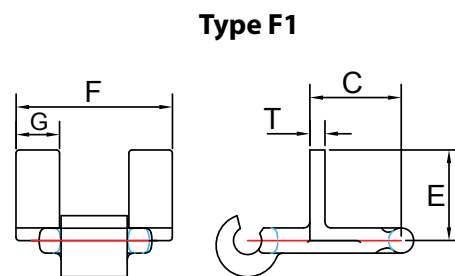
Type D5								
Chain	A		B		F		G	
	in	mm	in	mm	in	mm	in	mm
42	0.81	21.00	0.50	13.00	1.56	39.00	0.50	13.00
52	0.75	19.00	0.63	16.00	1.63	41.00	0.53	13.00
55	0.75	19.00	0.75	19.00	1.44	36.00	0.53	13.00
57*	0.88	23.00	1.19	30.00	2.00	50.00	0.50	13.00

*No. 57 does not have a boss and is designated D.3.



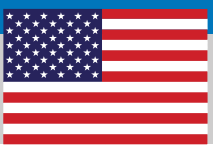
Type F1										
Chain	C		E		F		G		T	
	in	mm	in	mm	in	mm	in	mm	in	mm
45	1.19	30.00	1.25	32.00	2.38	60.00	0.75	19.00	0.16	4.00
52	1.00	26.00	1.25	32.00	2.63	67.00	0.81	21.00	0.13	3.00
55	1.19	30.00	1.19	30.00	2.56	65.00	0.81	21.00	0.16	4.00
57	1.63	41.00	1.56	40.00	3.00	76.00	0.94	24.00	0.16	4.00
57	1.88	47.00	1.81	46.00	3.13	80.00	0.94	24.00	0.22	6.00

Within limits these attachments can be drilled to suit customer's requirements



Type G1													
Chain	Style	C		C1		E		F		G		T	
		in	mm	in	mm	in	mm	in	mm	in	mm	in	mm
57	A	1.38	35.00	1.31	33.00	1.56	40.00	2.75	70.00	on CL	on CL	0.19	5.00
63	B	1.56	40.00	1.56	40.00	1.88	48.00	3.06	78.00	0.63	16.00	0.16	4.00
78	B	1.81	46.00	1.63	41.00	1.75	45.00	3.06	78.00	on CL	on CL	0.22	6.00
88	B	1.88	47.00	1.88	47.00	1.88	47.00	3.56	90.00	0.38	10.00	0.25	7.00

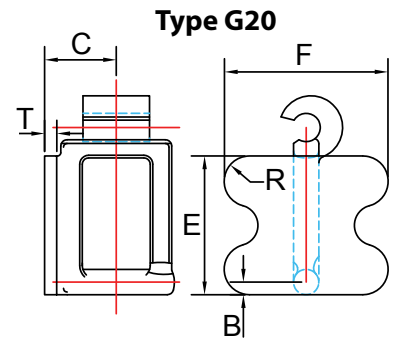
Within limits these attachments can be drilled to suit customer's requirements



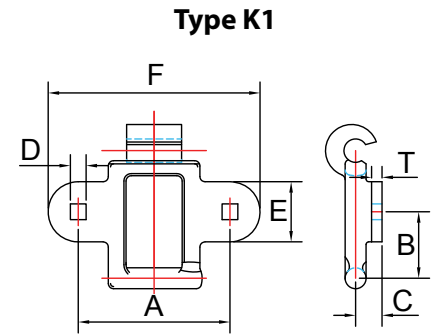
CAST DETACHABLE CHAINS - EUROPEAN STYLE

Type G20												
Chain	B		C		E		F		R		T	
	in	mm	in	mm	in	mm	in	mm	in	mm	in	mm
57	0.16	4.00	1.31	34.00	2.38	60.00	2.50	63.00	-	-	0.16	4.00
67	0.63	16.00	1.63	41.00	3.38	86.00	2.75	70.00	0.50	13.00	0.25	7.00
74	0.50	13.00	1.63	41.00	3.31	84.00	2.69	68.00	0.44	11.00	0.22	6.00
79	1.00	25.00	1.50	38.00	3.50	89.00	2.88	73.00	0.50	13.00	0.22	6.00
88	0.25	7.00	1.56	40.00	2.63	66.00	3.13	80.00	0.50	13.00	0.25	7.00
103	0.75	20.00	1.88	48.00	3.50	89.00	3.50	89.00	0.63	16.00	0.25	7.00

No. 57 is square not shaped. No. 79 B dimension is above the centre line.



Type K1														
Chain	A		B		C		D+		E		F		T	
	in	mm	in	mm	in	mm	in	mm	in	mm	in	mm	in	mm
32	2.00	51.00	0.63	16.00	0.25	6.00	0.19	5.00	0.75	19.00	2.81	71.00	0.13	3.00
33	2.00	51.00	0.69	17.00	0.25	6.00	0.19	5.00	0.75	19.00	2.94	74.00	0.13	3.00
42	2.19	55.00	0.69	17.00	0.38	10.00	0.19	5.00	0.75	19.00	3.19	80.00	0.16	4.00
45	2.00	51.00	0.75	19.00	0.38	10.00	0.19	5.00	0.88	22.00	2.81	71.00	0.13	3.00
48	2.44	62.00	1.06	27.00	0.56	14.00	0.31	8.00	1.13	28.00	3.38	86.00	0.13	3.00
52	2.25	58.00	0.75	19.00	0.44	11.00	0.31	8.00	0.81	20.00	3.13	79.00	0.16	4.00
55	2.19	55.00	0.81	20.00	0.38	10.00	0.31	8.00	1.00	25.00	3.19	80.00	0.13	3.00
57	3.06	78.00	1.13	29.00	0.56	14.00	0.38	10.00	1.25	32.00	4.13	105.00	0.16	4.00
60	2.50	63.00	0.81	21.00	0.50	13.00	0.31	8.00	1.00	25.00	3.38	85.00	0.16	4.00
61	3.31	84.00	0.88	22.00	0.63	16.00	0.38	10.00	1.00	25.00	4.38	111.00	0.22	5.00
63	3.63	92.00	1.50	38.00	0.75	20.00	0.38	10.00	1.50	38.00	4.88	124.00	0.22	5.00
67	3.88	98.00	1.13	29.00	0.69	18.00	0.38	10.00	1.31	33.00	4.88	124.00	0.16	4.00
74	3.44	88.00	1.25	32.00	0.56	15.00	0.44	11.00	1.31	34.00	4.56	116.00	0.22	5.00
78	3.75	95.00	1.31	33.00	0.75	19.00	0.38	10.00	1.38	35.00	5.00	127.00	0.19	5.00
88	4.13	105.00	1.31	33.00	0.81	21.00	0.44	11.00	1.50	38.00	5.25	133.00	0.22	5.00
101	5.13	130.00	1.88	48.00	1.00	25.00	0.50	13.00	2.00	50.00	7.13	181.00	0.25	6.00
103	4.31	110.00	1.50	38.00	0.81	21.00	0.44	11.00	1.69	43.00	5.56	141.00	0.25	6.00



Type K2																
Chain	A		B		C		D		E		F		G		T	
	in	mm	in	mm	in	mm	in	mm	in	mm	in	mm	in	mm	in	mm
79	4.06	103.00	1.38	35.00	0.81	21.00	0.50	12.00	3.75	95.00	5.25	134.00	2.50	63.00	0.25	7.00
88	4.00	102.00	0.81	21.00	0.75	20.00	0.38	10.00	2.00	50.00	5.00	127.00	1.00	25.00	0.25	7.00
94	5.81	148.00	1.31	33.00	0.88	22.00	0.44	11.00	2.63	67.00	7.00	178.00	1.50	38.00	0.22	6.00
103	4.31	109.00	0.94	24.00	0.88	22.00	0.38	10.00	2.19	55.00	5.50	140.00	1.13	28.00	0.25	7.00
104	5.88	149.00	1.31	33.00	0.88	22.00	0.44	11.00	2.63	66.00	7.00	178.00	1.50	38.00	0.31	8.00

No. 79 has two lugs each side as indicated by dotted lines.

