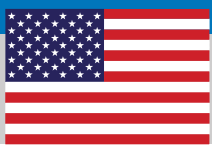
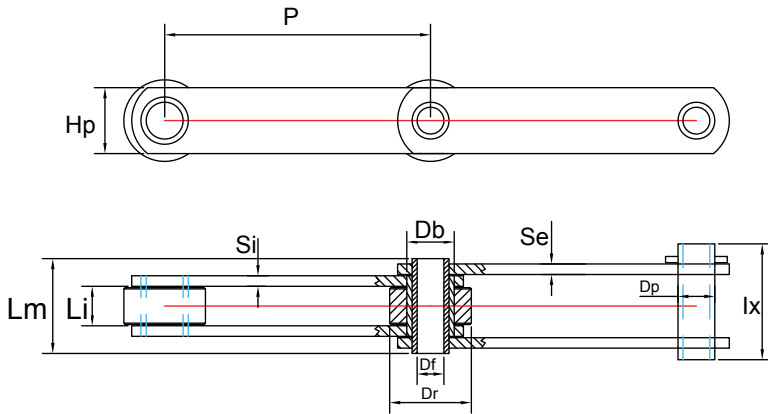


British Standard Conveyor Chains

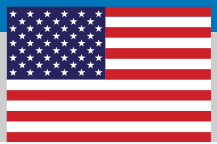


BRITISH STANDARD CONVEYOR CHAINS

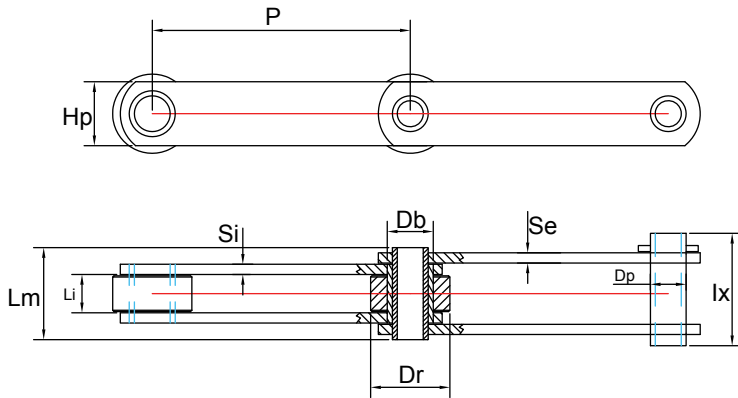


Hollow Bearing Pin Dimensional Details													All measurements in mm unless stated	
Chain	Ultimate Strength	P	Li	Dr	Db	Df	Dp	Hp	Si	Se	Lm	Ix	Weight kg/m	
CHP27/0508/P	6,000lb 2,700kg	50.800	15.00	31.80	18.00	10.20	14.00	25.00	4.00	4.00	36.00	44.00	4.00	
CHP27/0762/P		76.200	15.00	31.80	18.00	10.20	14.00	25.00	4.00	4.00	36.00	44.00	3.40	
CHP27/1016/P		101.600	15.00	31.80	18.00	10.20	14.00	25.00	4.00	4.00	36.00	44.00	2.80	
CHP27/1524/P		152.400	15.00	31.80	18.00	10.20	14.00	25.00	4.00	4.00	36.00	44.00	2.00	
CHP55/0762/P	12,000lb 5,450kg	76.200	19.00	47.60	23.60	13.20	19.00	40.00	5.00	4.00	44.00	51.00	6.50	
CHP55/1016/P		101.600	19.00	47.60	23.60	13.20	19.00	40.00	5.00	4.00	44.00	51.00	5.60	
CHP55/1524/P		152.400	19.00	47.60	23.60	13.20	19.00	40.00	5.00	4.00	44.00	51.00	4.70	
CHP110/1016/P	24,000lb 10,900kg	101.600	25.40	66.70	33.00	20.10	26.90	50.00	7.00	5.00	58.00	65.00	11.10	
CHP110/1524/P		152.400	25.40	66.70	33.00	20.10	26.90	50.00	7.00	5.00	58.00	65.00	9.00	

Hollow Beaing Pin Cross Reference					
SERIES	PITCH	COBALT	RENOLD	PRECISION	ZMC
60001	2"	CHP27/0508	105080/16	A080DI	ZC40/0508
60001	3"	CHP27/0762	105120/16	A12DI	ZC40/0762
60001	4"	CHP27/1016	105160/16	A16DI	ZC40/1016
60001	6"	CHP27/1524	105240/16	A24DI	ZC40/1524
12000	3"	CHP55/0762	105121/16	A12GI	ZC60/0762
12000	4"	CHP55/1016	105161/16	A16GI	ZC60/1016
12000	6"	CHP55/1524	105241/16	A24GI	ZC60/1524
24000	4"	CHP110/1016	105162/12	A16HI	ZC150/1016
24000	6"	CHP110/1524	105242/12	A24HI	ZC150/1524



BRITISH STANDARD CONVEYOR CHAINS



Solid Bearing Pin Dimensional Details		All measurements in mm unless stated										
Chain	Ultimate Strength	P	Li	Dr	Db	Dp	Hp	Si	Se	Lm	lx	Weight kg/m
CSP43/0508/P	7,500lb 3,400kg	50.800	15.00	31.80	18.00	14.00	25.00	4.00	4.00	36.00	44.00	4.00
CSP43/0762/P		76.200	15.00	31.80	18.00	14.00	25.00	4.00	4.00	36.00	44.00	3.40
CSP43/1016/P		101.600	15.00	31.80	18.00	14.00	25.00	4.00	4.00	36.00	44.00	2.80
CSP43/1524/P		152.400	15.00	31.80	18.00	14.00	25.00	4.00	4.00	36.00	44.00	2.00
CSP75/1016/P	15,000lb 6,800kg	101.600	19.00	47.60	23.60	19.00	40.00	5.00	4.00	44.00	51.00	5.60
CSP75/1524/P		152.400	19.00	47.60	23.60	19.00	40.00	5.00	4.00	44.00	51.00	4.70
CSP135/1016/P	30,000lb 13,650kg	101.600	25.40	66.70	33.00	26.90	50.00	7.00	5.00	58.00	65.00	11.10
CSP135/1524/P		152.400	25.40	66.70	33.00	26.90	50.00	7.00	5.00	58.00	65.00	9.00

Sold Bearing Pin Cross Reference					
SERIES	PITCH	COBALT	RENOLD	PRECISION	ZMC
7500	3"	CSP43/0762	145120/12	B12DI	Z40/0762
7500	4"	CSP43/1016	145160/12	B16DI	Z40/1016
7500	6"	CSP43/1524	145240/12	B24DI	Z40/1524
15000	3"	CSP75/0762	145121/12	B12GI	Z100/0762
15000	4"	CSP75/1016	145161/12	B16GI	Z100/1016
15000	6"	CSP75/1524	145241/12	B24GI	Z100/1524
30000	4"	CSP135/1016	145162/12	B16HI	Z160/1016
30000	6"	CSP135/1524	145242/12	B24HI	Z160/1524





Exceptional Performance, Superior Results

