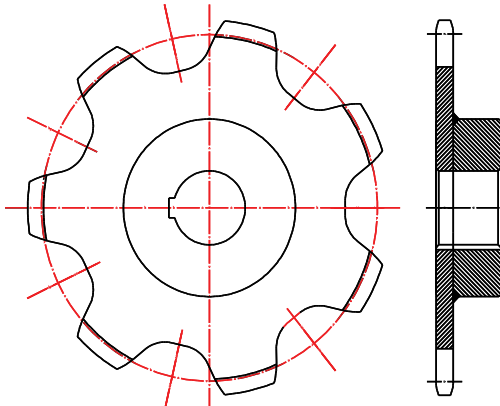
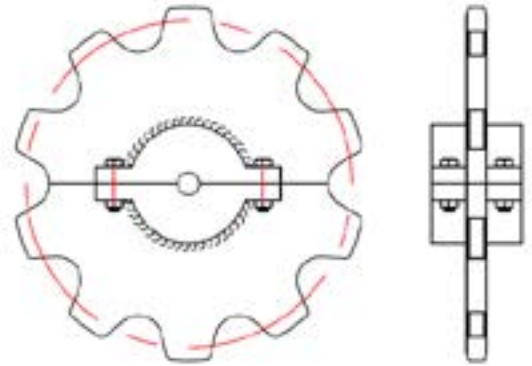




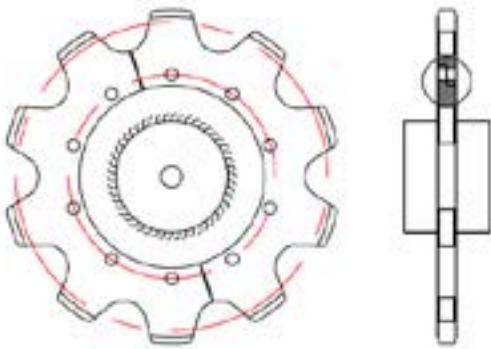
ENGINEERING CLASS SPROCKETS



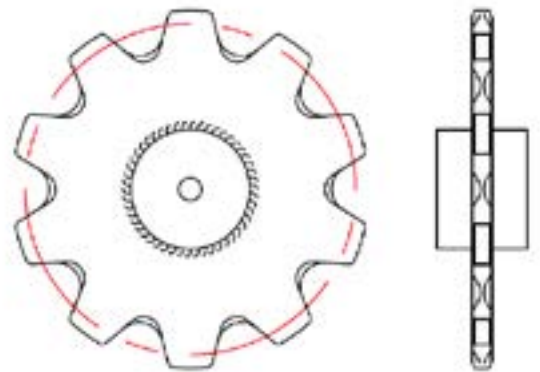
STANDARD SPROCKET



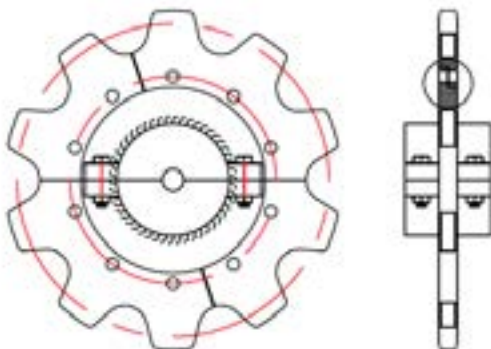
SPLIT CONSTRUCTION SPROCKET



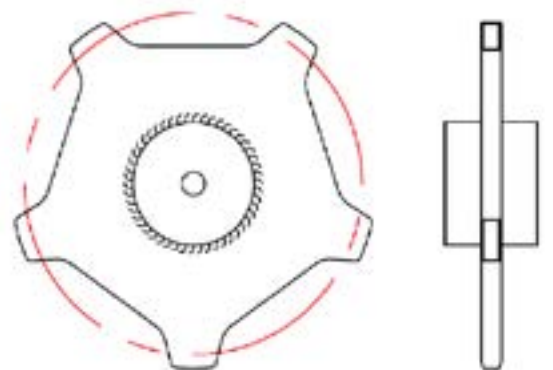
SEGMENTAL CONSTRUCTION SPROCKET



MUD RELIEF TOOTH FORM



SEGMENTAL SPLIT CONSTRUCTION SPROCKET



JUMP TOOTH